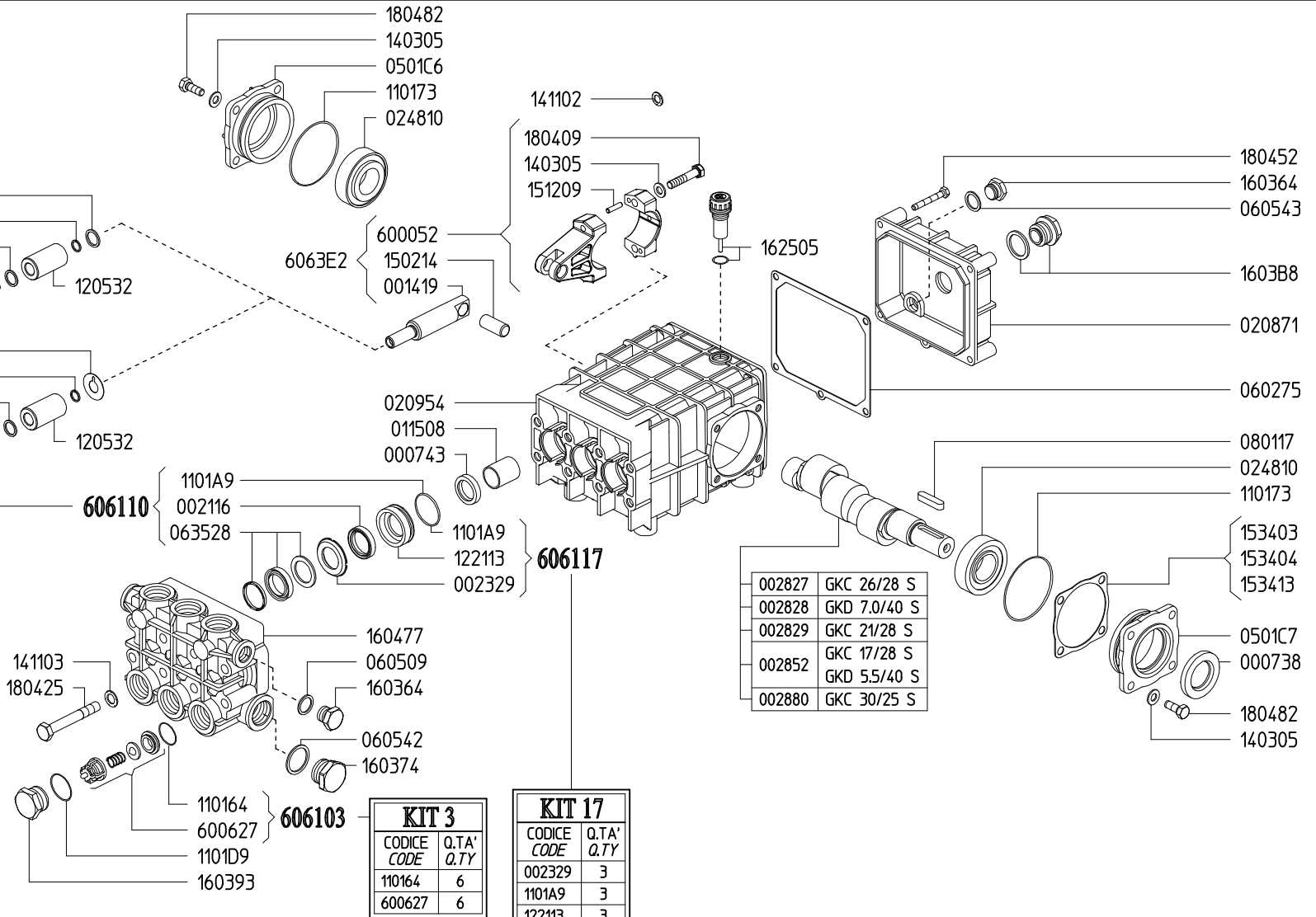




SERIE - SERIES

GK

963300 GKC 17/28 S
 962800 GKC 21/28 S
 966600 GKC 26/28 S
 969200 GKC 30/25 S
 965900 GKD 5.5/40 S
 966000 GKD 7.0/40 S



KIT 38

CODICE CODE	Q.TA' Q.TY
002323	3
010212	3
1101A8	3
140333	3
140343	3

606138

- 140343
- 002323
- 140333
- 1101A8
- 010212
- 120532

GKC 30/25 S

606106

- 030141
- 002323
- 140333
- 1101A8
- 010212
- 120532

KIT 6

CODICE CODE	Q.TA' Q.TY
002323	3
010212	3
030141	3
1101A8	3
140333	3

KIT 10

CODICE CODE	Q.TA' Q.TY
002116	3
063528	3
1101A9	3

606110

- 1101A9
- 002116
- 063528
- 1101A9
- 122113
- 002329

GKC 17/28 S
 GKC 21/28 S
 GKC 26/28 S
 GKD 5.5/40 S
 GKD 7.0/40 S

- 141103
- 180425
- 160477
- 060509
- 160364
- 060542
- 160374

606103

- 110164
- 600627
- 1101D9
- 160393

KIT 3

CODICE CODE	Q.TA' Q.TY
110164	6
600627	6

606117

KIT 17

CODICE CODE	Q.TA' Q.TY
002329	3
1101A9	3
122113	3

002827	GKC 26/28 S
002828	GKD 7.0/40 S
002829	GKC 21/28 S
002852	GKC 17/28 S
002880	GKD 5.5/40 S
	GKC 30/25 S