

JETCAM MOVING FORWARD

Pipe cleaning system with
steerable camera nozzle

JETCAM 

THE NO.1 CAMERA NOZZLE



Clean



Inspect

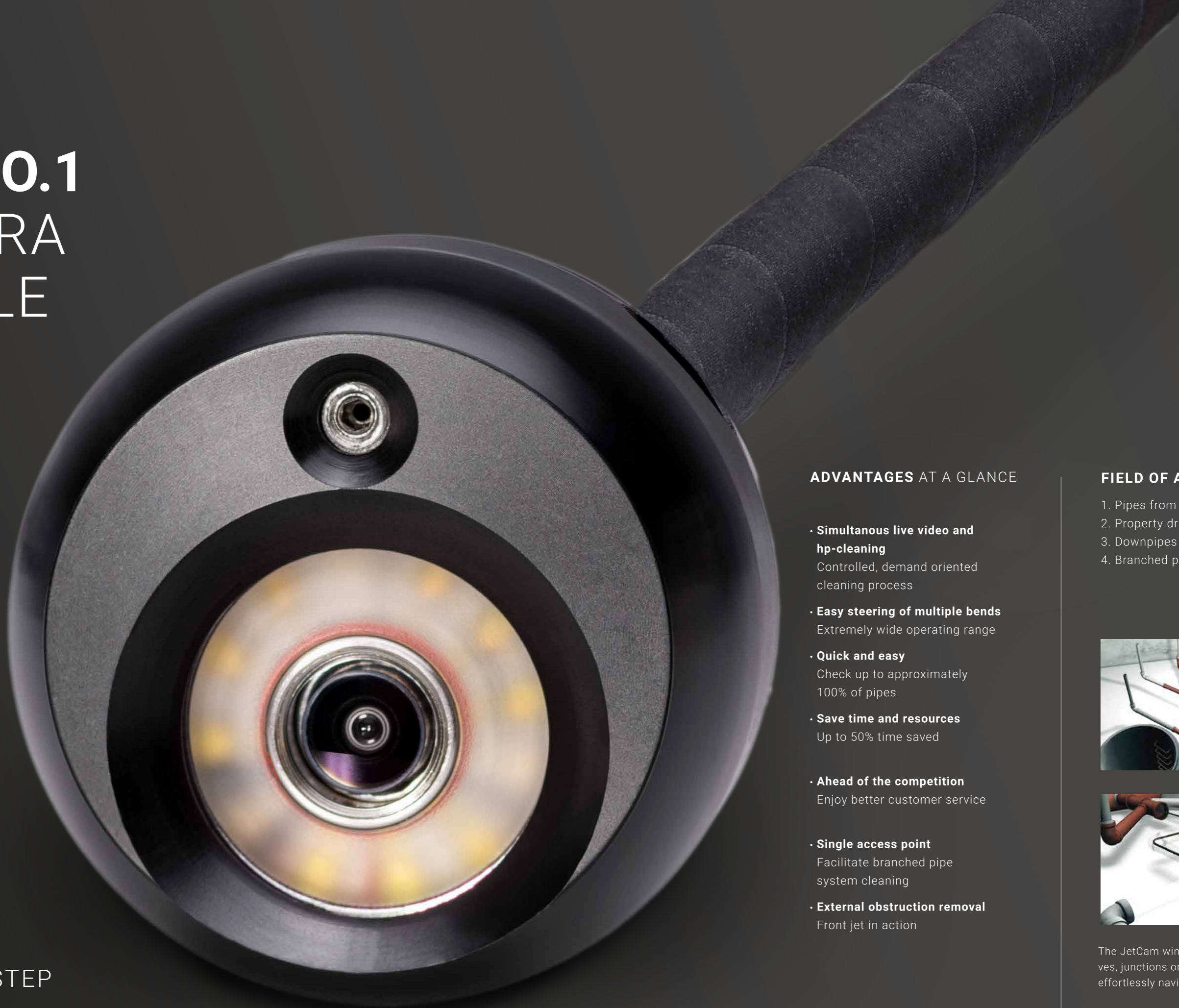


Steer



Document

IN A SINGLE STEP

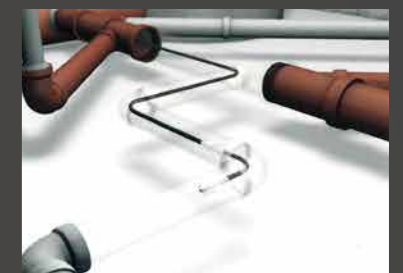


ADVANTAGES AT A GLANCE

- **Simultaneous live video and hp-cleaning**
Controlled, demand oriented cleaning process
- **Easy steering of multiple bends**
Extremely wide operating range
- **Quick and easy**
Check up to approximately 100% of pipes
- **Save time and resources**
Up to 50% time saved
- **Ahead of the competition**
Enjoy better customer service
- **Single access point**
Facilitate branched pipe system cleaning
- **External obstruction removal**
Front jet in action

FIELD OF APPLICATION:

1. Pipes from 50 - 300 mm
2. Property drainage
3. Downpipes
4. Branched pipe systems



The JetCam winds easily through curves, junctions or T-connections, and effortlessly navigates downpipes.

FACILITATE YOUR WORK

JetCam 40 Pro
Unbeatable price-performance ratio
Exceptionally user-friendly



FEATURES AT A GLANCE:

- Stainless steel cart with control unit, video out, water connection, needle valve, water filter
- video output
- steering part with cleaning nozzle from Enz®
- Highly abrasion-resistant hp-hose, electronically assembled, 60 meters 1/2" or 3/8"
- Monitor with recording

Optional:

- Location
- Nozzle set Enz
- Forward jet
- Rotation nozzle



ALL THE ADVANTAGES OF MODERN SEWER CLEANING

JetCam 4.0

The most advanced model
of the JetCam series

Live video can be transmitted directly to a tablet or any mobile device. Use the Sewerlink-App to control the electronics, input, and record data. The precise meter counter supports line detection and can deliver recordings from otherwise inaccessible pipes. Impressive power and efficiency through video-assisted hp-cleaning. When you see what you clean, you are not only faster, but also more thorough.



FEATURES AT A GLANCE:

- State-of-the-art cart with functional gear ratio, unwinding brake, water connection, water filter, needle valve, control unit, lithium ion battery
- Camera head
- Steering part with cleaning nozzle from Enz®
- Hp-hose, electronically assembled, 60 meters, 1/2" or 3/8"
- Sewerlink-App including recording, data entry, precise meter counter, and location



THE RIGHT NOZZLE FOR EVERY APPLICATION

Nozzle Set for the JetCam by Enz®



FEATURES AT A GLANCE:

Compatible with any JetCam
with 1/2" hose

- Screwable steering part
- 6- and 12-jet cleaning nozzle
- Rotation nozzle HRH*
- Rotation nozzle KBR*
- Rotopuls nozzle*
- Forward jet
- Case incl. tools

**HRH = standard rotation nozzle,
*KBR = especially for grease,
*Rotopuls = for heavy
deposits*



SIMPLY **UNBEATABLE** WHEN IT COMES TO BEING FLEXIBLE UN- DERGROUND

Fast, controlled, economical

Access

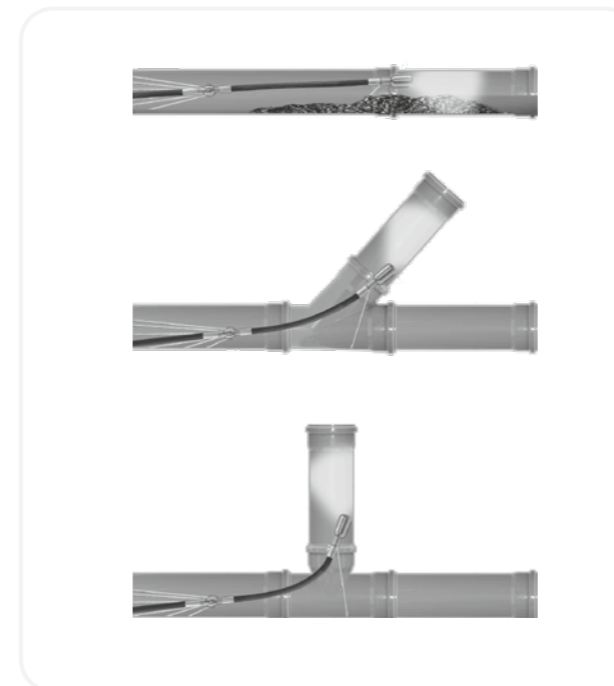
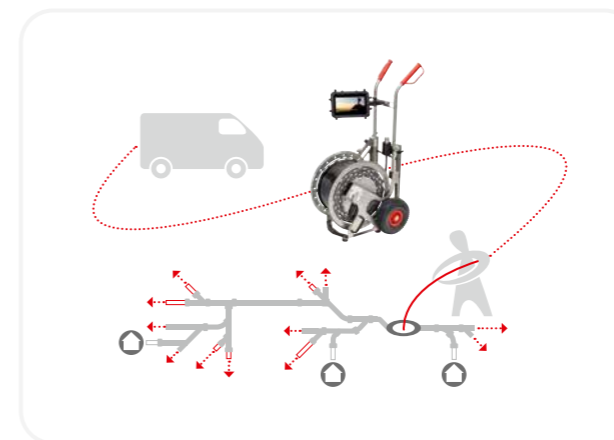
possible through both inspection and private basement shafts. The JetCam enables visualized hp-cleaning of pipes with diameters from 50 to 300 mm. This controlled process can be run from both sides, with the device being steered to and from the house supply point via communal pipes.

JetCam allows you to expand your range of services and increase performance

The JetCam reveals the underground. In a single operation it cleans the pipe and provides an accurate picture of its condition, allowing for timely damage detection, precise localisation of blockages and the identification of inaccessible pipes.

Together we protect the environment, while you save time and money

- Economical water consumption through the targeted use of our most vitally important resource.
- Time-saving through the merging of several work steps into one.
- Better groundwater protection through more complete pipe network coverage.
- Fuel savings thanks to controlled cleaning process.



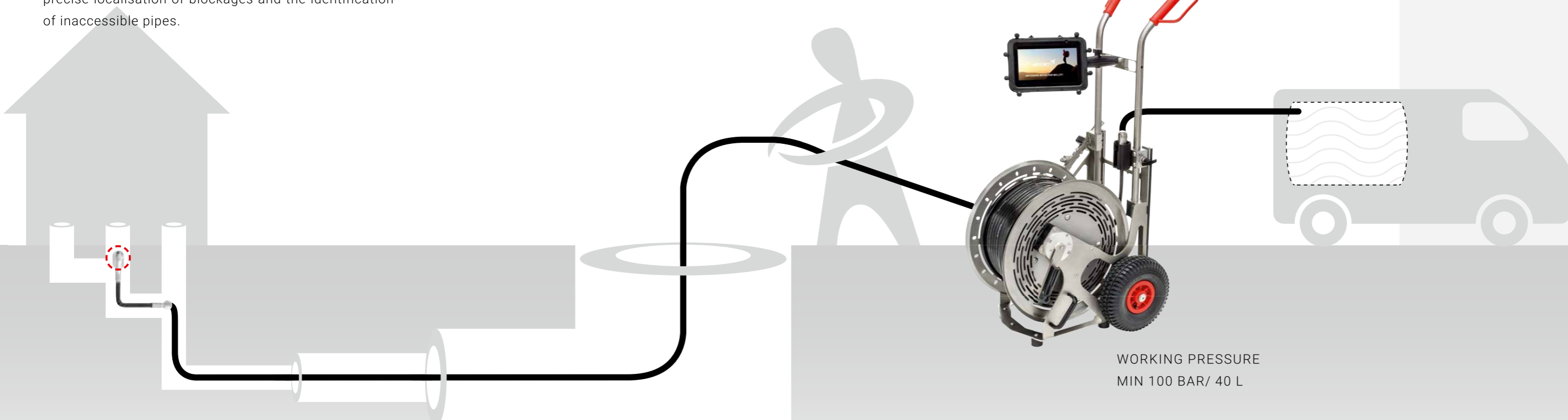
NICE TO KNOW:

HOW IS JETCAM STEERED?
Through the manual twisting of the hose.

HOW IS THE VIDEO SIGNAL TRANSMITTED?
The transmission runs via a well-protected inner wire, within the hose.

CAN THE HP-HOSE BE REPAIRED?
Yes! The hose is highly abrasion-resistant and very flexible. In case of heavy wear or bursts, it can be shortened.

HOW MANY BRANCHES ARE POSSIBLE?
Several 45° and 90° branches.



WORKING PRESSURE
MIN 100 BAR/ 40 L

TURN HARDWORK TO SMART WORK.

“We have several jetting cameras in use and would not be without any one of them! In a short time we can remove blockages for our customers and find them easily and with accuracy. Since we no longer ‘clean blind’, we can work more efficiently.”

*Thomas, Fetzel Kanaltechnik,
Austria*

“We were very pleasantly surprised by the steer ability of the camera. The compactness of the system also has advantages. It can be operated by one man, is mobile and easy to handle.”

*Florian, RHS-Scheufele e.K.,
Germany*

„Simply an awesome tool!”

*Patrik, Harder Rohr- und
Kanalreinigung, Germany*

„This way of working is the future of sewer cleaning.

You can't have it any better than this. It is healthier for the sewer worker, it is better for the company as we can serve the customer more professionally.”

Renato, Mökah AG, Switzerland

Are you ready to level up?
We are excited to hear
from you!

+49 831 28885
contact@optronic.de
www.optronic.de