



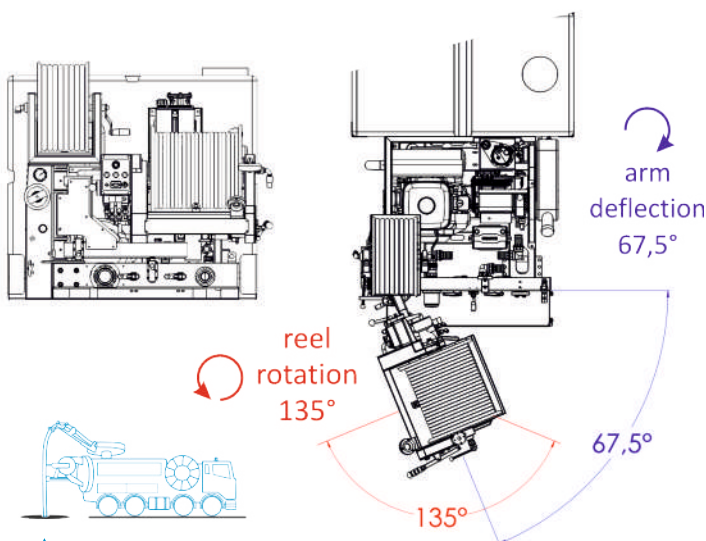
ANAKONDA

HIGH-PRESSURE DEVICE FOR HYDRODYNAMIC SEWAGE CLEANING

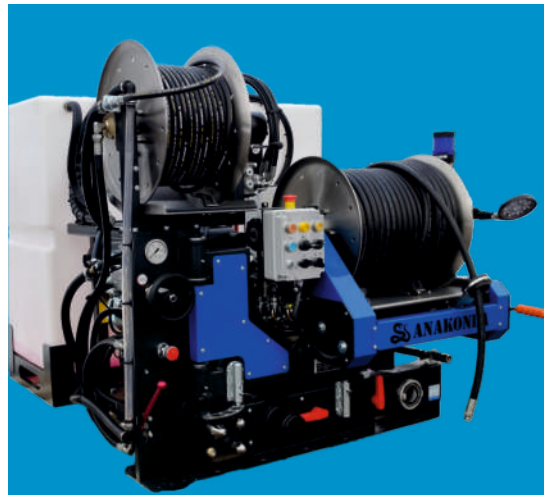
The ANAKONDA series is a compact, modern and universal high-pressure device designed for unclogging and cleaning sewage system pipes, disinfecting surfaces or objects and other cleaning works.

The device was developed and is manufactured by the Polish company KanRo Ltd, a leader in the market of specialist sewage service devices with 30 years of experience.

Thanks to its small dimensions and weight, ANAKONDA is ideally suited for installation in small delivery vans and on transport trailers. This model uses many innovative solutions, previously unavailable in this type of device. One of them is a hydraulically driven pressure hose reel with a tilting arm and a rotating reel for easier access to the manhole. Devices with the option of remote control and automatic hose laying on the reel are also available.

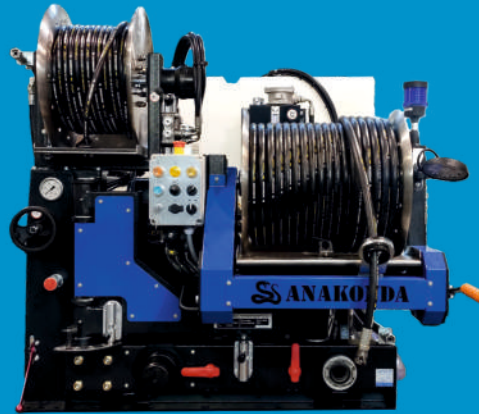


AVAILABLE DEVICE VERSIONS



ANAKONDA - 150/75

- ▶ Engine 35 HP
- ▶ Pressure 150 bar
- ▶ Water flow 75 l/min
- ▶ Tilting and rotating arm with hydraulic drive
- ▶ High pressure hose DN13 80 m ½"



ANAKONDA - 200/60

- ▶ Engine 35 HP
- ▶ Pressure 200 bar
- ▶ Water flow 60 l/min
- ▶ Tilting and rotating arm with hydraulic drive
- ▶ High pressure hose DN13 80 m ½"

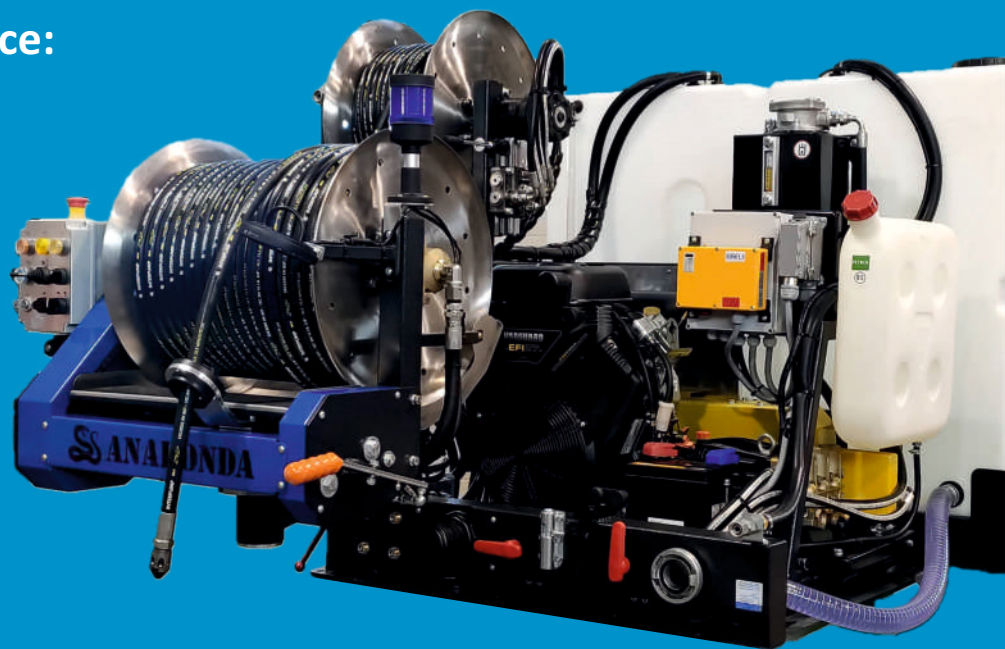


ANAKONDA - 150/85*

- ▶ Engine 40 HP
- ▶ Pressure 150 bar
- ▶ Water flow 85 l/min
- ▶ Tilting and rotating arm with hydraulic drive
- ▶ High pressure hose DN16 80 m ½"

Main advantages of the device:

- ✓ Rotating working reel placed on a swivel arm
- ✓ Hydraulic drive for easy winding and unwinding the pressure hose
- ✓ Automatic pressure hose lay-out*
- ✓ Remote radio control for increased work comfort*
- ✓ Large water tank adapted to the vehicle's load capacity
- ✓ Winter protection system
- ✓ One-person operation
- ✓ Possibility of installation in small delivery vehicles
- ✓ Wide range of additional equipment
- ✓ **Made in Poland**



*option

COMPACT AND MODERN HIGH-PRESSURE DEVICES
INTENDED FOR UNBLOCKING AND CLEANING THE SEWAGE NETWORK

